

## Eurobrace™ EB2

EB2 are square braces with disc clamps for use in balustrading and pool fencing. The braces are anchored into the concrete 100mm deep, and support the glass off the paving leaving a gap under the glass for water, leaves and debris to disperse. Braces are 260mm high (adjustable) and manufactured in 316 grade stainless steel.

### available finishes

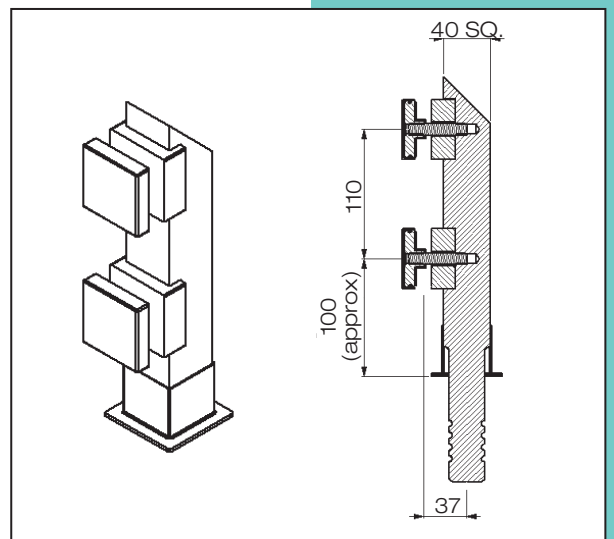
code	description
EB2PS	EB2 brace, polished s/steel
EB2SS	EB2 brace, satin s/steel

### technical details

- manufactured in 316 grade stainless steel
- suitable for 10, 12 and 15mm glass
- for pool fences: maximum spacing of 1250mm between each EB2, and maximum 300mm overhang
- for balustrades: maximum spacing of 500mm between each EB2, and maximum overhang 250mm
- adjustable (110mm long) rod to allow for height variations
- square cover plates
- 26mm diameter holes
- 30mm typical clearance from ground surface
- set into concrete at minimum 90mm depth

### custom sizing

- if required, we are able to manufacture most specialty designs and sizes
- please contact our sales department for details



## eurobrace™ EB2 square pool fencing and balustrade supports

### Glass Panel Measuring:

1. Determine the desired placing of the glass and which side of the glass the Eurobrace™ will be positioned. Euroglass recommend the Eurobrace™ posts are placed on the inside of the glass.  
(N.B. no drilling of concrete should be within 100mm of the outside edge of the concrete pad and are subject to the site engineer's specifications.
2. Temporarily mark the proposed centreline of the glass panels onto the concrete pad.
3. Divide the temporary line into the required glass panel sizes. Allow 20mm spaces between the glass panels, also allow 20mm on each corner.

EB2 Eurobrace Posts	W1 (max. glass overhang)	W2 (max. distance between posts)	H1 (min. barrier height)	H2 (min. glass height)
Pool Fence	300mm	1250mm	1200mm	1150mm
Balustrade	250mm	500mm	1000mm	950mm

4. Confirm the glass panel height from the concrete surface. To get the glass panel order size, take -50mm from the desired overall height. If the height adjustment is outside this range the glass panel may require raking to allow for correct installation.
5. Place the desired positioning of the Eurobrace™ on the temporary chalk line. Confirm the Eurobrace™ layout, see Figure 1.
6. Transpose the glass measurements onto an order sheet and recheck all measurements.

