

EUROGLASS FACE FIX SYSTEM	B2 - B3
CHANNEL	B4
EUROBRACE & MINI POSTS	B5 - B6
EUROANCHOR STEPPED DISCS	B7
SPACERS & STEPPED DISCS	B8
EUROANCHOR FIXING DETAIL	B9
HANDRAILS	B10
BRACKETS & CLAMPS	B11 - B12
POOL GATE HYDRAULIC HINGES	B13
POOL GATE LATCHES	B14 - B15
PIVOTS	B16 - B17

EUROGLASS FACE FIX BALUSTRADE

AVAILABLE FINISHES

- Mill
- Silver Pearl powdercoat
- Selected powdercoat (lead time applies)

TECHNICAL DETAILS

5m stock length

SETS available for the different fixing options:

- Concrete Fix •Steel Fix •Bolt Through •Lag Screw

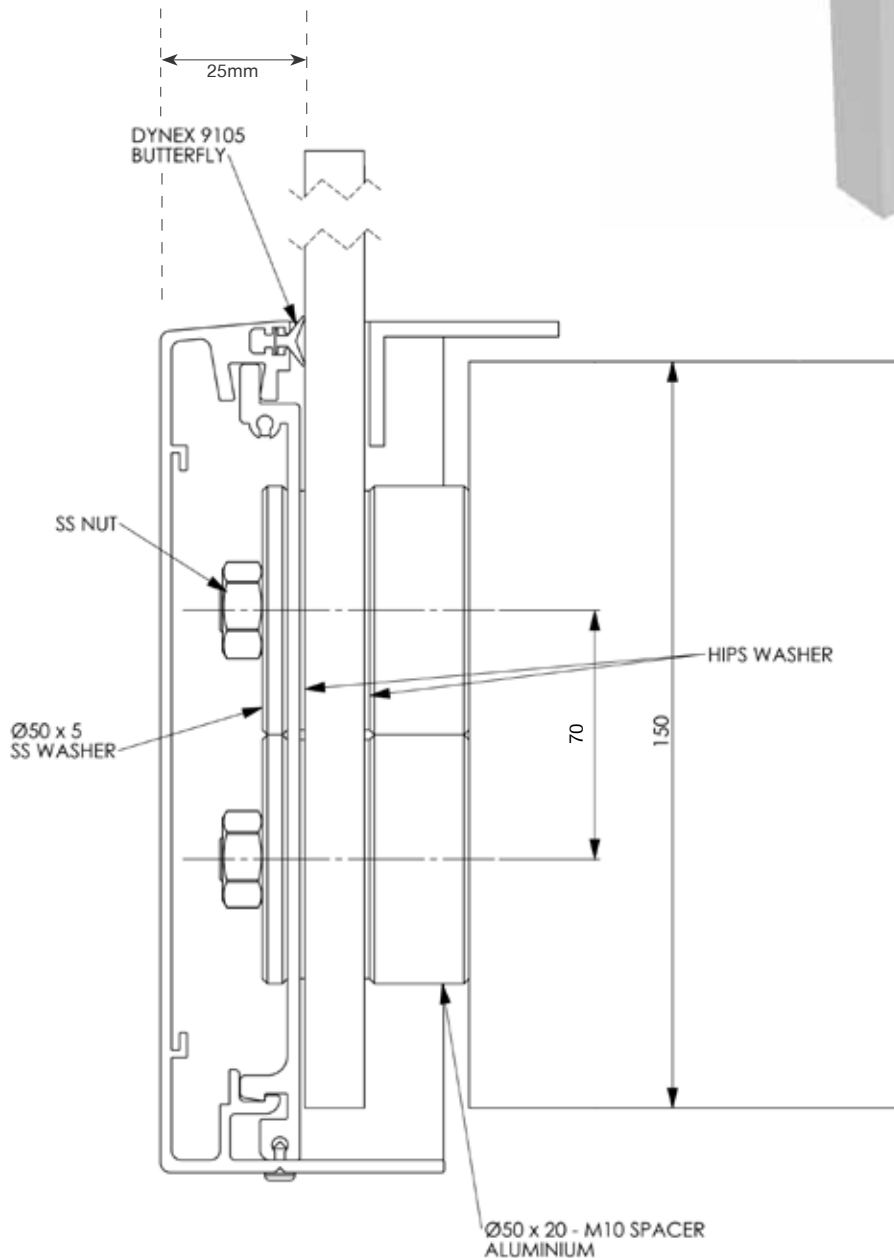
Each SET includes 5m length, Spacers, Discs (50 fixings included per set), Angle, Cover Plate and Back Plate

Suitable for 12mm and 15mm glass thicknesses

Glass thickness, glass span and fixing detail are calculated from our PS1/Engineer's report (available on request)

End Caps and Internal/External Corner 90° Covers available

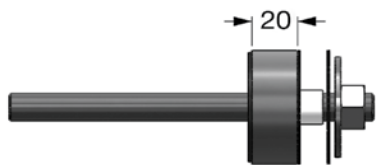
Able to be fixed to steel or concrete slabs as thin as 150mm



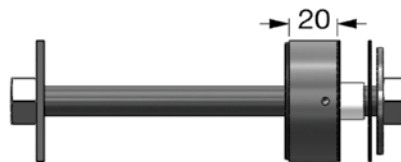
EUROGLASS FACE FIX BALUSTRADE Components

FIXING OPTIONS

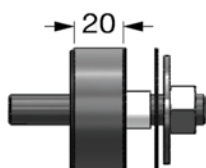
50 fixing assemblies required per 5m length
Supplied with EPDM waterproof washer



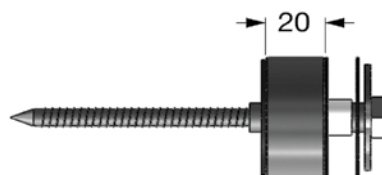
FFCFIX
M12 Concrete Fixing Set



FFTFIX
M12 Bolt Through Fixing Set



FFSFIX
M12 Steel Fixing Set



FFLFIX
M10 Lag Screw Fixing Set



FFCP
Cover Plate

TECHNICAL DETAILS
5m stock length



FFBP
Back Plate

TECHNICAL DETAILS
5m stock length
includes Glazing Rubber



FFANGLE
Angle 45mm x 25mm

TECHNICAL DETAILS
5m stock length



FFCNR
External Corner 90° Cover



FFINT
Internal Corner 90° Cover



FFEND
End Cap

BALUSTRADE & POOL: CHANNEL

CALL: (09) 624-1180
www.euroglass.co.nz



EDC Eurochannel Dry fix channel

AVAILABLE FINISHES

- Mill finish
- Silver Pearl powdercoat
- Selected powdercoat (lead time applies)

TECHNICAL DETAILS

5M stock length, complete with 12 Clamping Kits and Cover Plate

Suitable for 12 and 15mm glass

Vertical adjustment up to 15mm

Out of plumb adjustment:

- +/- 50mm @ 1000mm high
- +/- 60mm @ 1200mm high

M12 coach screw at 200mm centres fixing in timber

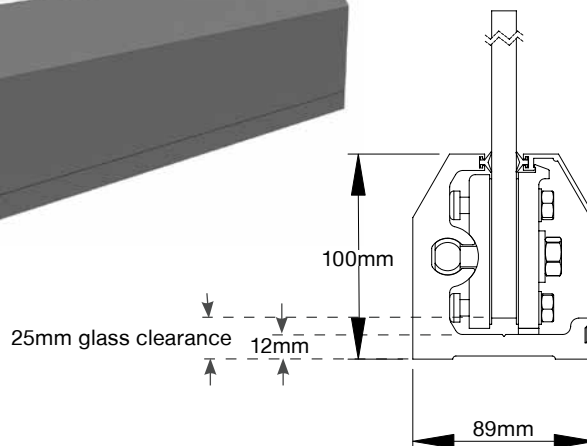
M12 s/s epoxy bolts at 450mm centres fixing in concrete

100mm minimum embedment in timber or concrete

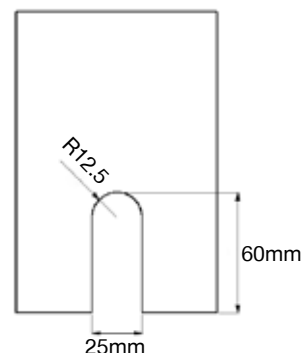
Clamping kits should be spaced up to 400mm apart

Supporting base channel is anotec powder-coated with 10yr warranty

PS1 available on request



EDCEND
End Cap



Glass Cut Out Detail

BACH Balustrade channel

AVAILABLE FINISHES

- Mill finish
- Silver Pearl powdercoat
- Selected powdercoat (lead time applies)

TECHNICAL DETAILS

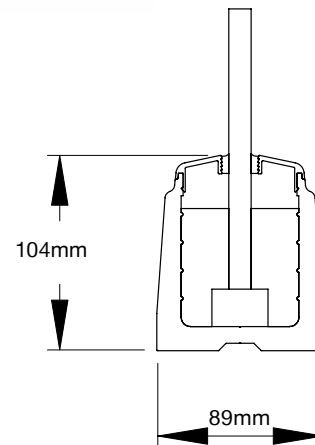
5M stock length

Suitable for 12 and 15mm glass

Handrail options available



BAEC
End Cap



EB1 Eurobrace

AVAILABLE FINISHES

- Polished stainless steel
- Satin stainless steel

TECHNICAL DETAILS

Manufactured in 316 grade stainless steel

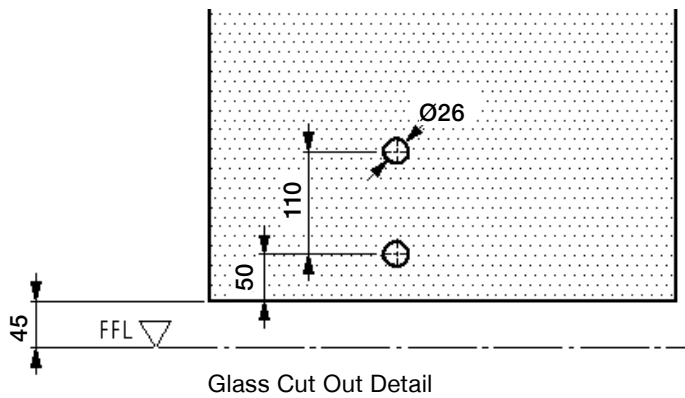
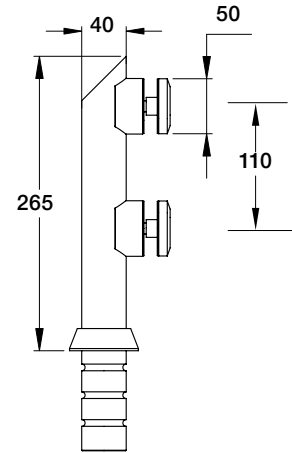
Suitable for 10, 12 and 15mm glass

Posts are set into concrete (Ø50mm hole) and affixed using SIKA or ROCKITE grout (to manufacturer's specifications)

26mm diameter holes in glass

45mm typical clearance from ground surface

PS1 available on request



EB2 Eurobrace, square

AVAILABLE FINISHES

- Polished stainless steel
- Satin stainless steel

TECHNICAL DETAILS

Manufactured in 316 grade stainless steel

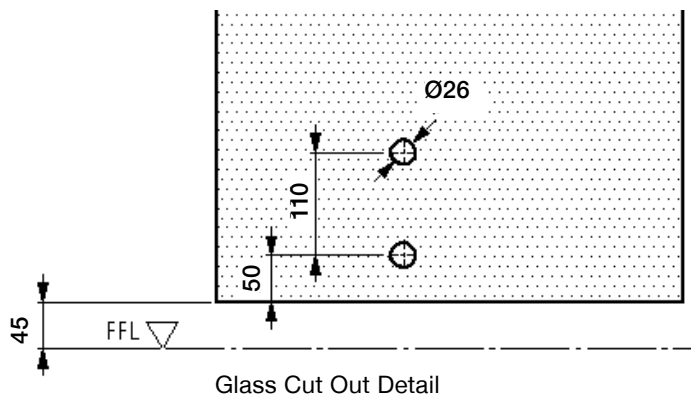
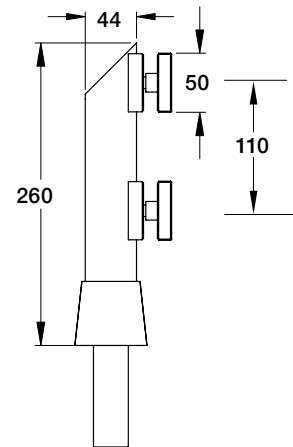
Suitable for 10, 12 and 15mm glass

Posts are set into concrete (Ø50mm hole) and affixed using SIKA or ROCKITE grout (to manufacturer's specifications)

26mm diameter holes in glass

45mm typical clearance from ground surface

PS1 available on request



FMP250 Miniposts

AVAILABLE FINISHES

- Polished stainless steel
- Satin stainless steel

TECHNICAL DETAILS

Manufactured in 316 grade stainless steel

Suitable for 12 and 15mm glass

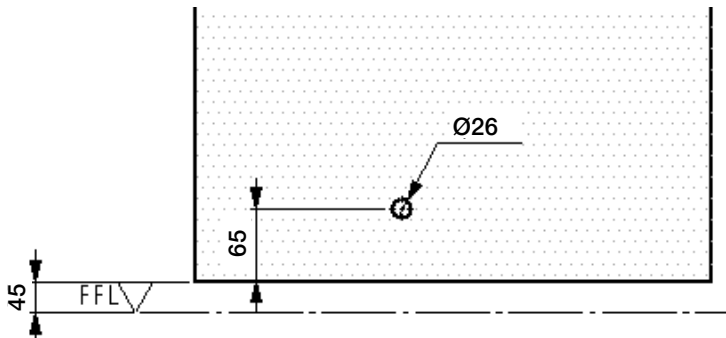
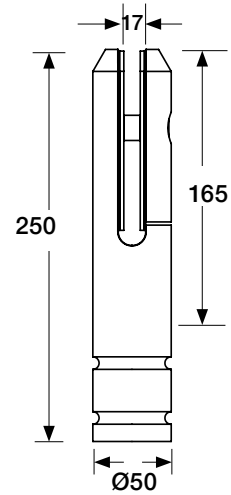
Mini posts are set 85mm into concrete (Ø60mm hole) and affixed using SIKA or ROCKITE grout (to manufacturer's specifications)

26mm diameter holes in glass

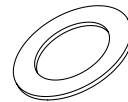
45mm typical clearance from ground surface

Optional Dress Ring or Cover Plate available

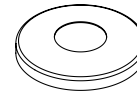
PS1 available on request



Glass Cut Out Detail



FMP250RING
80mm outside dia.
51mm inside dia.



FMP250COVER
125mm outside dia.
51mm inside dia.
(matches FMP350 cover)

FMP350 Miniposts

AVAILABLE FINISHES

- Polished stainless steel
- Satin stainless steel

TECHNICAL DETAILS

Manufactured in 316 grade stainless steel

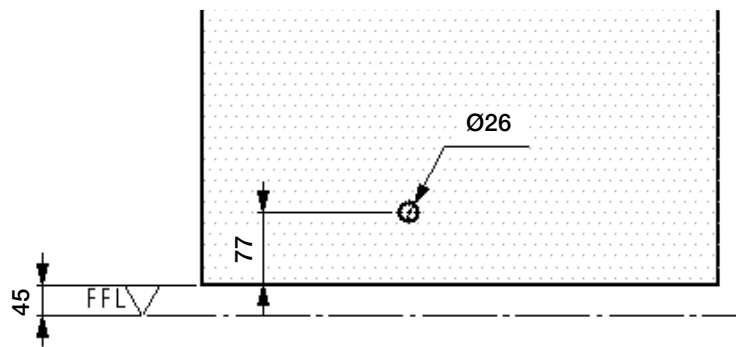
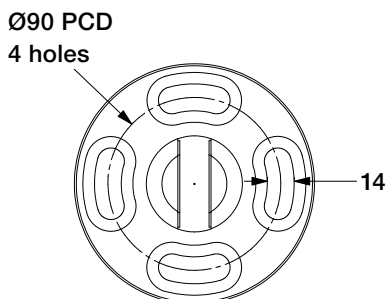
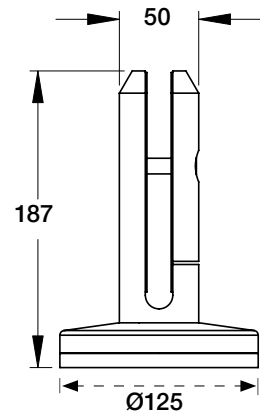
Suitable for 12 and 15mm glass

26mm diameter holes in glass

45mm typical clearance from ground surface

Posts can be fastened to concrete or wooden surfaces using 2 x M10 bolts/screws

PS1 available on request



Glass Cut Out Detail

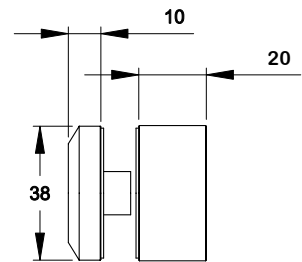
EUBFSD38 Euroanchor 38mm stepped disc

AVAILABLE FINISHES

- Satin anodised
- Polished stainless steel
- Satin stainless steel

TECHNICAL DETAILS

Manufactured in 316 grade stainless steel
Anodised to over 20 µm
The substrate material can be concrete, steel or timber
20mm spacer, M8
Includes washer, PVC sleeve & fixing (threaded rod only)
Glass fixing hole 20mm dia
Fixing centres are set as per PS1
PS1 available on request



EUBFSD50/51 Euroanchor 50mm stepped disc

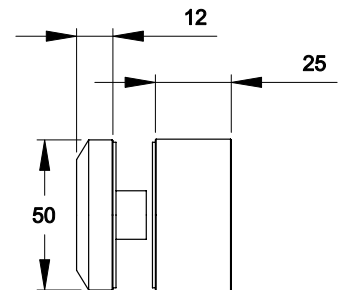
EUBFSD50 includes 25mm thick spacer / EUBFSD51 includes 10mm thick spacer

AVAILABLE FINISHES

- Satin anodised
- Polished stainless steel
- Satin stainless steel

TECHNICAL DETAILS

Manufactured in 316 grade stainless steel
Anodised to over 20 µm
The substrate material can be concrete, steel or timber
Includes washer, PVC sleeve & fixing (please specify either lag screw or threaded rod)
Glass fixing hole 26mm dia
25mm spacer can be threaded M10 or 10.5mm through hole (specify upon order)
Fixing centres as per PS1
PS1 available on request



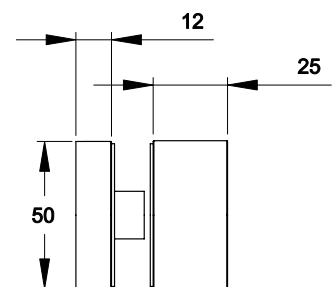
EUBFSQ Euroanchor 50mm square stepped disc

AVAILABLE FINISHES

- Polished stainless steel
- Satin stainless steel

TECHNICAL DETAILS

Manufactured in 316 grade stainless steel
The substrate material can be concrete, steel or timber
Includes washer, PVC sleeve & fixing (please specify either lag screw or threaded rod)
Glass fixing hole 26mm dia
Fixing centres as per PS1
PS1 available on request



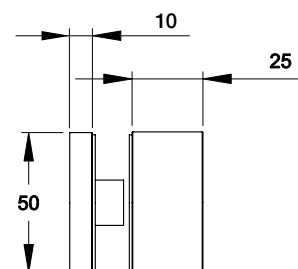
EUBFCS Euroanchor 50mm countersunk stepped disc

AVAILABLE FINISHES

- Polished stainless steel
- Satin stainless steel

TECHNICAL DETAILS

Manufactured in 316 grade stainless steel
The substrate material can be concrete, steel or timber
10mm and 25mm spacers available
Includes washer, PVC sleeve & fixing (please specify either lag screw or threaded rod)
Glass fixing hole 22mm dia
25mm spacer threaded M10
M10 x 35 countersunk hex bolt
Fixing centres as per PS1
PS1 available on request



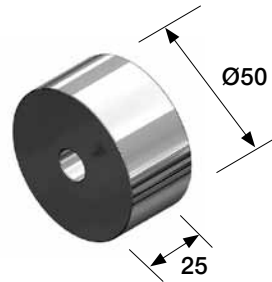
SP5025T and SP5025 Spacers

AVAILABLE FINISHES

- Satin anodised
- Polished stainless steel
- Satin stainless steel

TECHNICAL DETAILS

SP5025T - Threaded M10 hole
SP5025 - 10.5mm dia. through hole



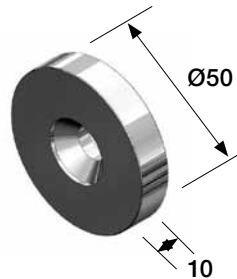
SPC5010 Countersunk disc or Spacer

AVAILABLE FINISHES

- Polished stainless steel
- Satin stainless steel

TECHNICAL DETAILS

Drilled and countersunk
To suit M10 countersunk hex bolt



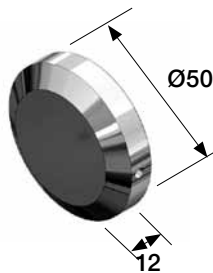
SD50M10 Stepped disc

AVAILABLE FINISHES

- Satin anodised
- Polished stainless steel
- Satin stainless steel

TECHNICAL DETAILS

M10 threaded blind hole



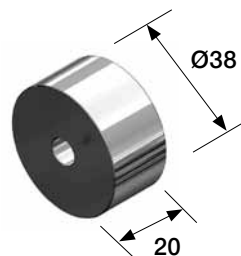
SP3820 Spacer

AVAILABLE FINISHES

- Satin anodised
- Polished stainless steel
- Satin stainless steel

TECHNICAL DETAILS

8.5mm dia. through hole



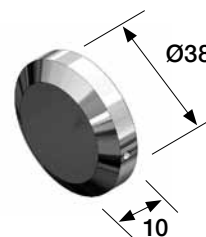
SD38M8 Stepped disc

AVAILABLE FINISHES

- Satin anodised
- Polished stainless steel
- Satin stainless steel

TECHNICAL DETAILS

M8 threaded blind hole



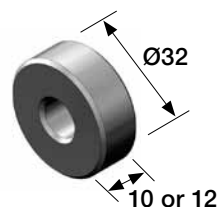
SPG3210/12 Gib spacers

AVAILABLE FINISHES

- Plastic
- Aluminium

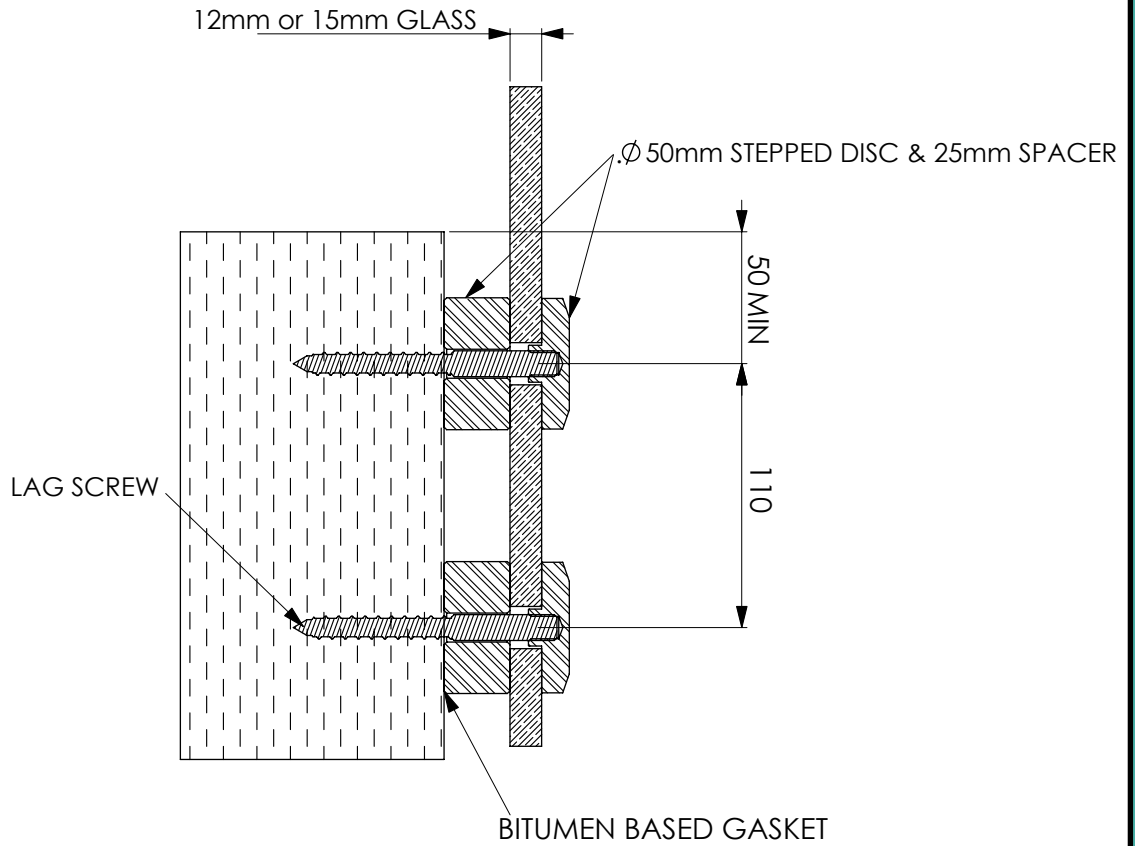
TECHNICAL DETAILS

10mm thick plastic or aluminium
12mm thick plastic or aluminium

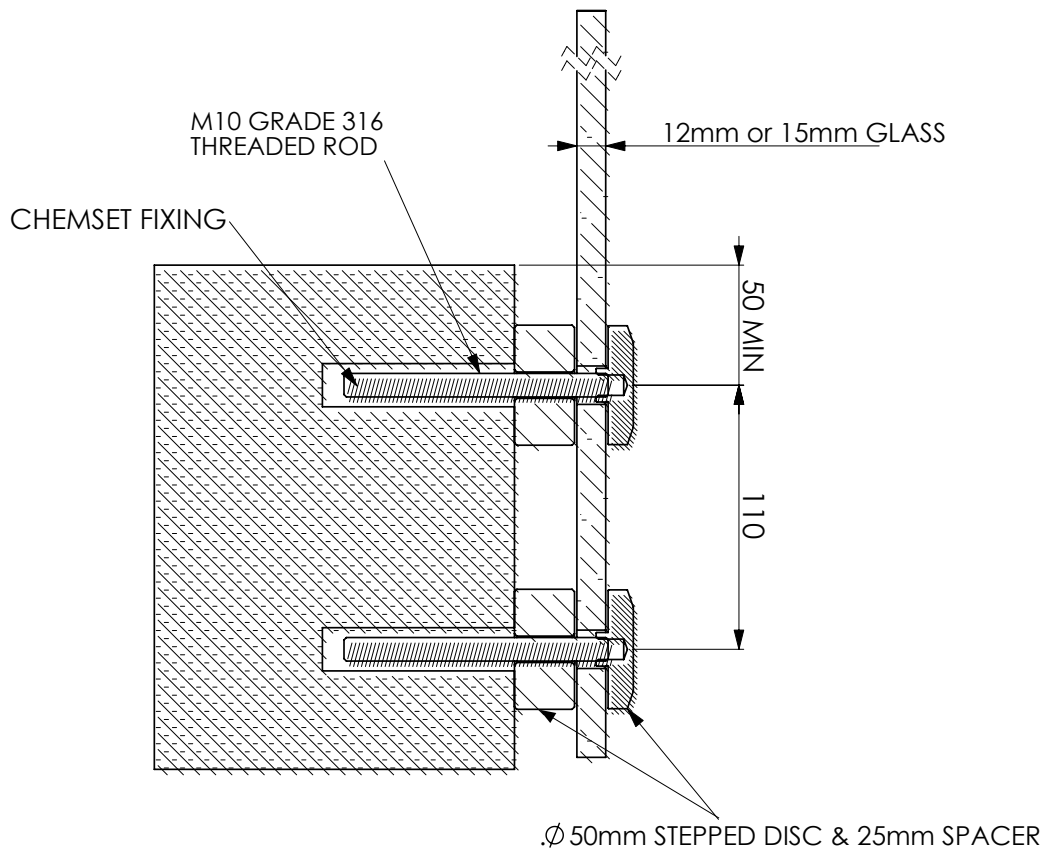


EUBFSD50 TIMBER FIXING:

Both the EUBFSD50 and EUBFSD50SQ can be used for these applications
Custom spacers are available



EUBFSD50 CONCRETE FIXING:



BH1 Slimline handrail & end cap

AVAILABLE FINISHES

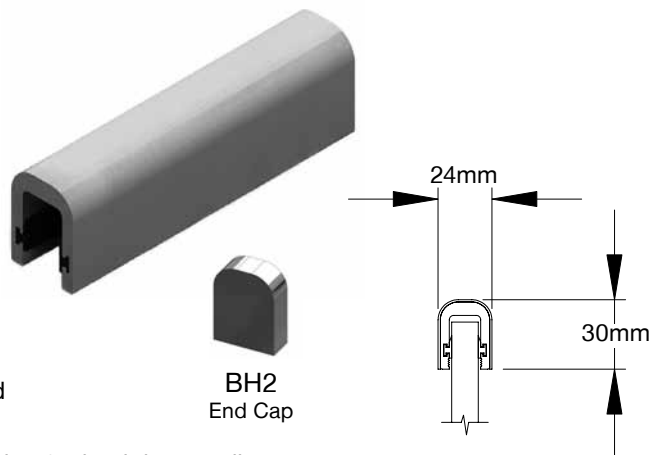
- Mill finish
- Silver Pearl powdercoat
- Selected powdercoat (lead time applies)

TECHNICAL DETAILS

Meets AS1288-2006 for handrailing for glass balustrades that are over 1m in height and only fixed to the base
Complies with NZS4203:1992 for handrails
Suitable for 10mm and 12mm glass (specify when ordering)
Can be used for both interior and exterior applications
Designed for easy fitting, clips directly over the glass: no welding required and can be installed after glass is fitted

OPTIONS

Stainless steel cover & fixtures manufactured in marine grade 316; lead time applies



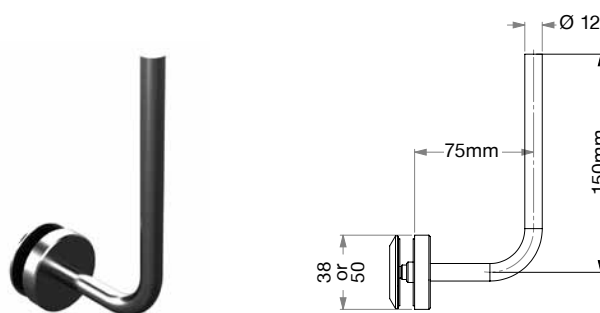
EUHB38/EUHB50 Handrail bracket

AVAILABLE FINISHES

- Polished stainless steel
- Satin stainless steel

TECHNICAL DETAILS

26mmØ hole in glass for EUHB38
26mmØ hole in glass for EUHB50
Supplied 150mm high for on-site trimming



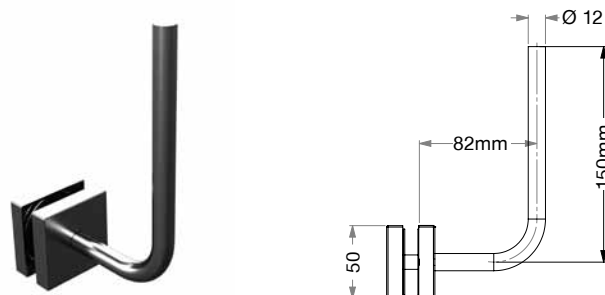
EUHB50SQ Handrail bracket, square

AVAILABLE FINISHES

- Polished stainless steel
- Satin stainless steel

TECHNICAL DETAILS

26mmØ hole in glass
Supplied 150mm high for on-site trimming



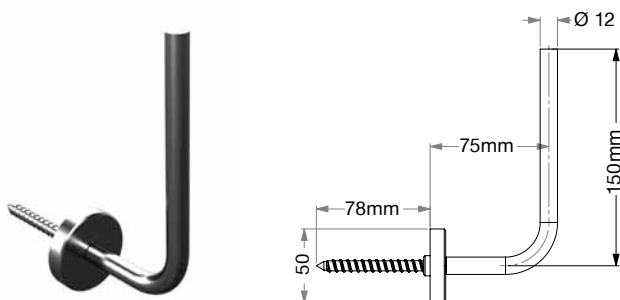
EUHBTF50 Handrail bracket timber fix

AVAILABLE FINISHES

- Polished stainless steel
- Satin stainless steel

TECHNICAL DETAILS

Designed for timber fixing
Supplied 150mm high for on-site trimming



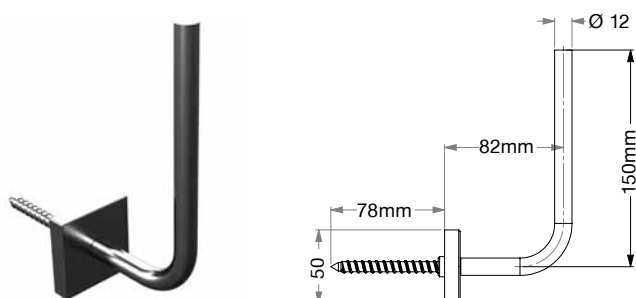
EUHBTF50SQ Handrail bracket timber fix, square

AVAILABLE FINISHES

- Polished stainless steel
- Satin stainless steel

TECHNICAL DETAILS

Designed for timber fixing
Supplied 150mm high for on-site trimming



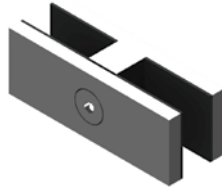
BCI/BCWM/BC90 Balustrade clamps

AVAILABLE FINISHES

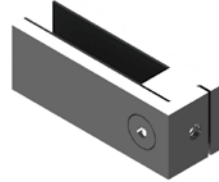
- Polished stainless
- Satin stainless

TECHNICAL DETAILS

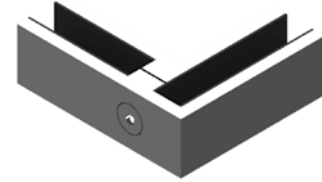
Suitable for 12mm glass
316 grade stainless steel
Supplied with rubber gasket inserts



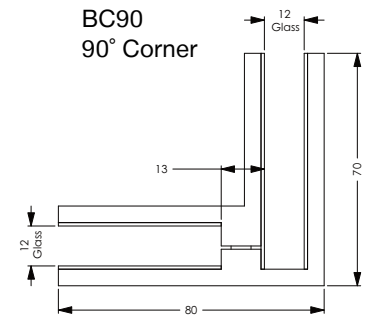
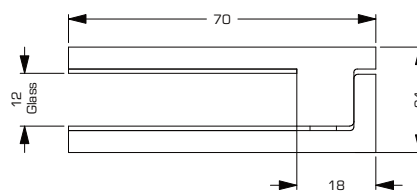
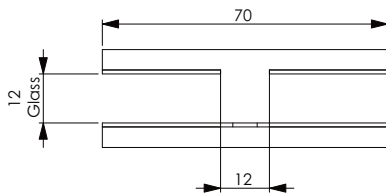
BCI
Glass-to-Glass



BCWM
Wall Mount



BC90
90° Corner



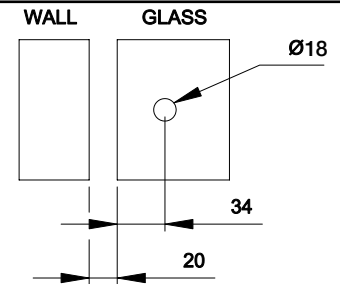
BB70/BB70SQ Balustrade brackets, wall mount

AVAILABLE FINISHES

- Polished stainless
- Satin stainless

TECHNICAL DETAILS

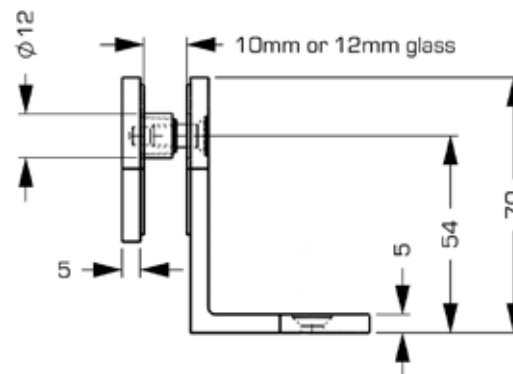
Suitable for 10 and 12mm glass
316 grade stainless steel
Round and square options



BB70



BB70SQ



BBD70/BBD70SQ Balustrade brackets, glass/glass

AVAILABLE FINISHES

- Polished stainless
- Satin stainless

TECHNICAL DETAILS

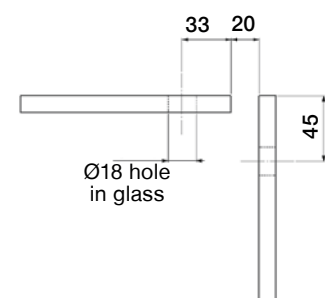
Suitable for 10 and 12mm glass
316 grade stainless steel
Round and square options



BBD70



BBD70SQ



BCRD6/10, BCDF6/10, BCRS8/10, BCFS8/10 Glass clamps, post or wall mount

AVAILABLE FINISHES

- Polished stainless
- Satin stainless

TECHNICAL DETAILS

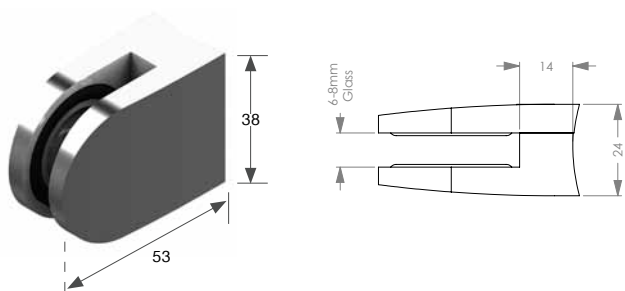
Options for 6, 8, 10 and 12mm glass

316 grade stainless steel

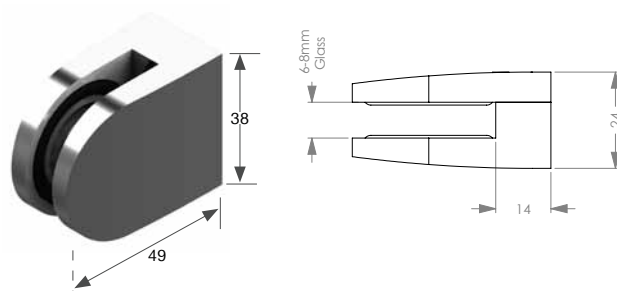
Round and square profiles

Flat back for fixing to square section and wall mounting, or round back to suit 50mm tubular post

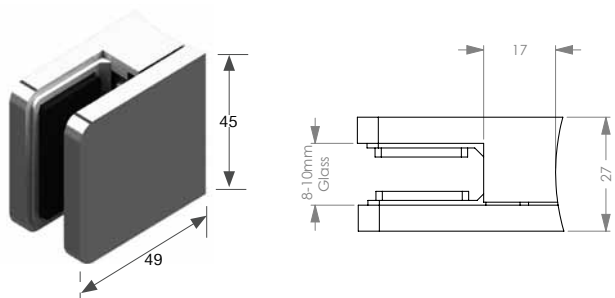
BCRD6 Round back 6-8mm glass



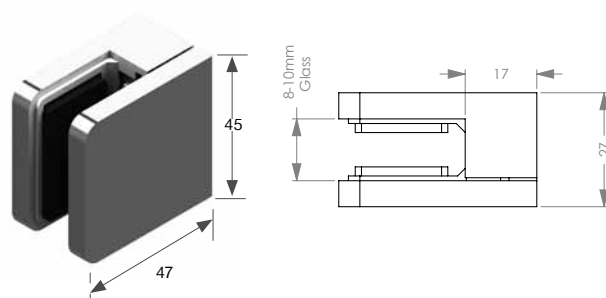
BCDF6 Flat back 6-8mm glass



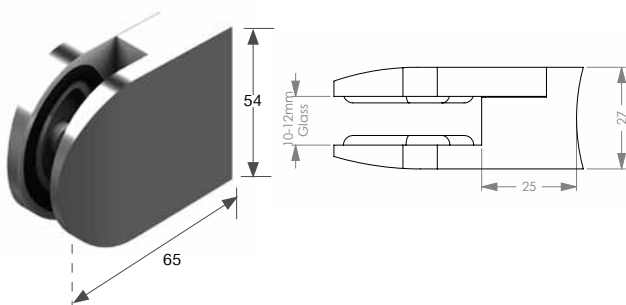
BCRS8 Round back 8-10mm glass



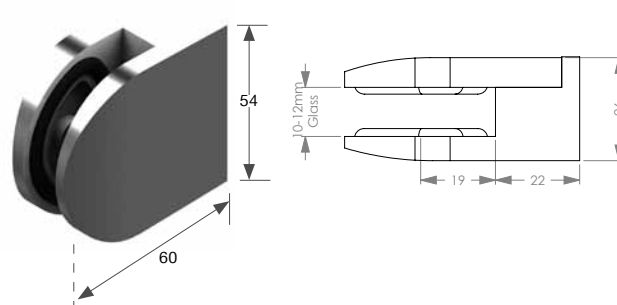
BCFS8 Flat back 8-10mm glass



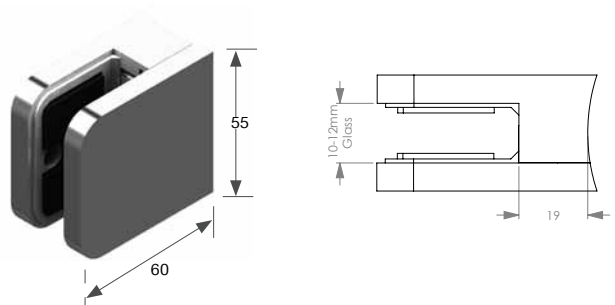
BCRD10 Round back 10-12mm glass



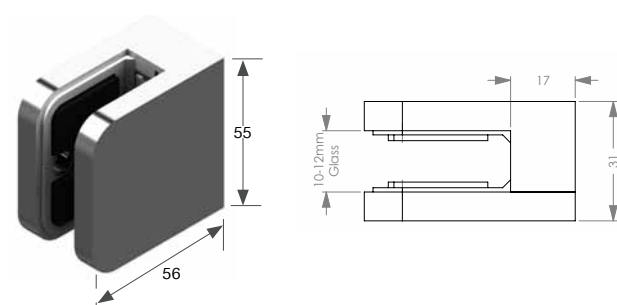
BCFD10 Flat back 10-12mm glass



BCRS10 Round back 10-12mm glass



BCFS10 Flat back 10-12mm glass



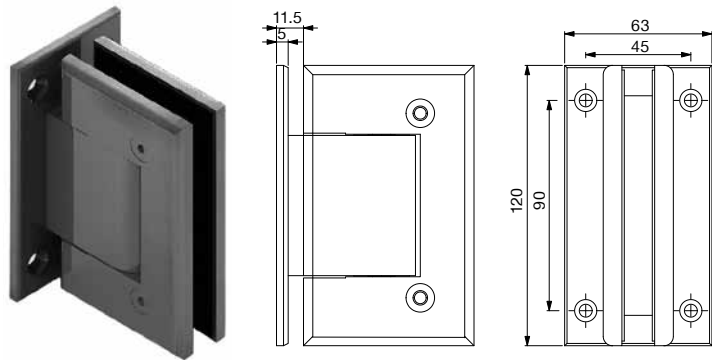
EH1NHO Glass to wall hydraulic hinge

AVAILABLE FINISHES

- Natural anodised, marine grade 25micron

TECHNICAL DETAILS

Made from aluminium
 Hinge opening angle 100°
 Self-closing from any angle
 Available as non-hold open (for pool environments)
 and hold open (doors)
 Non-hold open has an offset closed position to hold
 the gate or door firmly shut, preventing rattle
 Maximum recommended glass weight: 70kg
 Maximum recommended door width: 900mm
 Standard for 12mm glass, can be supplied for 10mm
 or 15mm glass on request
 Screw on each pivot block adjusts hydraulic closing speed



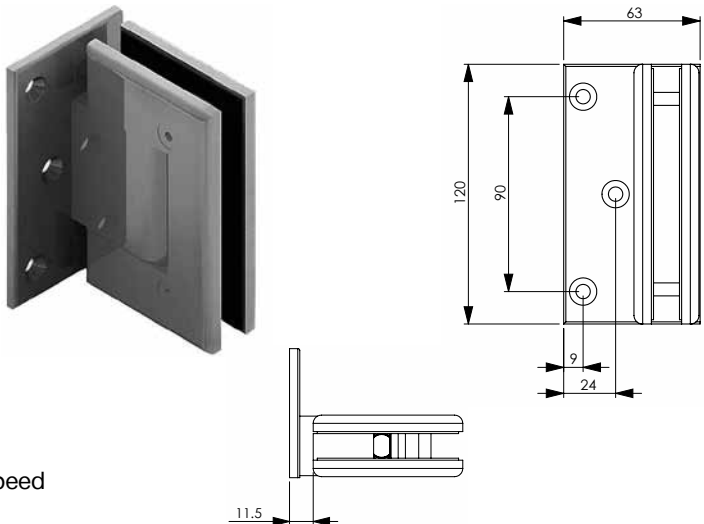
EH1LNHO Glass to wall hydraulic hinge, offset

AVAILABLE FINISHES

- Natural anodised, marine grade 25micron

TECHNICAL DETAILS

Made from aluminium
 Hinge opening angle 100°
 Self-closing from any angle
 Available as non-hold open (for pool environments)
 and hold open (doors)
 Non-hold open has an offset closed position to hold
 the gate or door firmly shut, preventing rattle
 Maximum recommended glass weight: 70kg
 Maximum recommended door width: 900mm
 Standard for 12mm glass, can be supplied for 10mm
 or 15mm glass on request
 Screw on each pivot block adjusts hydraulic closing speed



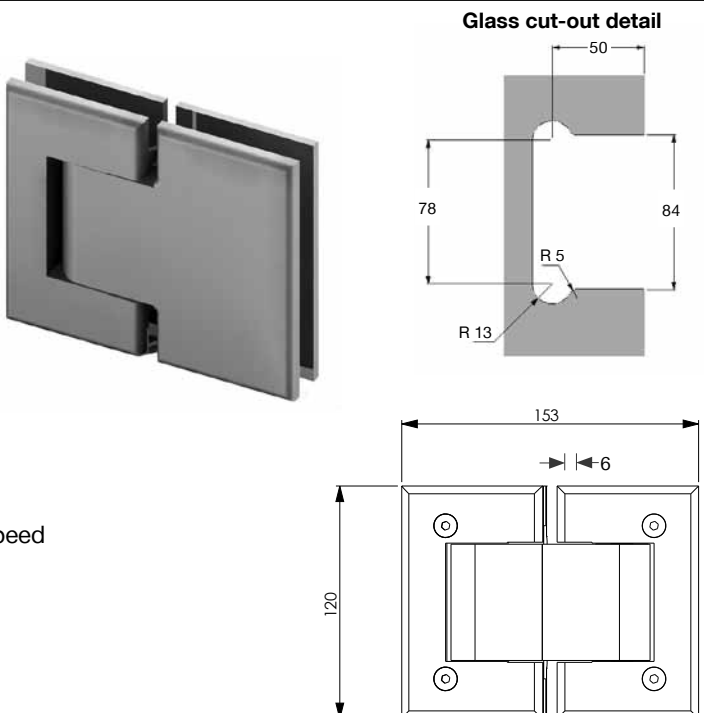
EH2NHO Glass to glass hydraulic hinge

AVAILABLE FINISHES

- Natural anodised, marine grade 25micron

TECHNICAL DETAILS

Made from aluminium
 Hinge opening angle 100°
 Self-closing from any angle
 Available as non-hold open (for pool environments)
 and hold open (doors)
 Non-hold open has an offset closed position to hold
 the gate or door firmly shut, preventing rattle
 Maximum recommended glass weight; 70kg
 Maximum recommended door width; 900mm
 Standard for 12mm glass, can be supplied for 10mm
 or 15mm glass on request
 Screw on each pivot block adjusts hydraulic closing speed



BALUSTRADE & POOL: POOL GATE LATCH

CALL: (09) 624-1180
www.euroglass.co.nz



(Profile & finish to complement hydraulic hinge)

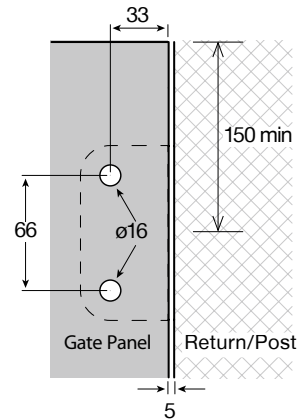
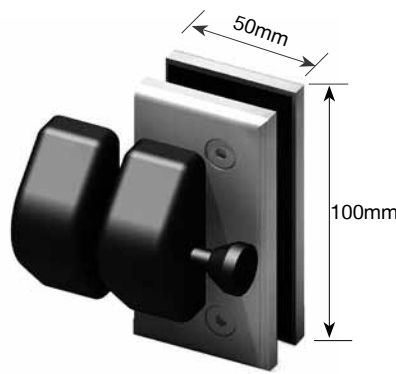
EHL1 Gate latch and strike

AVAILABLE FINISHES

- Natural anodised, marine grade 25micron

TECHNICAL DETAILS

Designed for a frameless glass pool gate that closes to a post or wall
Single action, self-latching magnetic operation
Manufactured in aluminium
Standard for 12mm glass, can be supplied for 10mm or 15mm glass on request



Glass Preparation

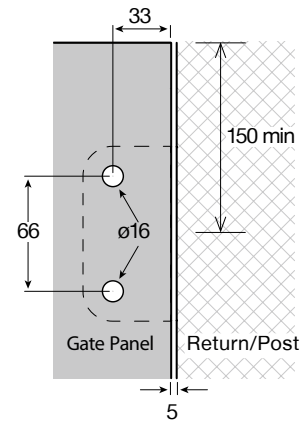
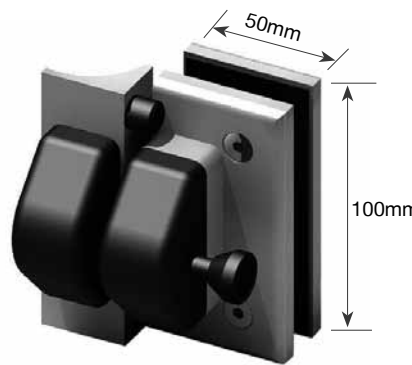
EHL1RP Round Post Gate latch and strike

AVAILABLE FINISHES

- Natural anodised, marine grade 25micron

TECHNICAL DETAILS

Designed for a frameless glass pool gate 50mm dia. post mount
Single action, self-latching magnetic operation
Manufactured in aluminium
Standard for 12mm glass, can be supplied for 10mm or 15mm glass on request
Made to order only



Glass Preparation

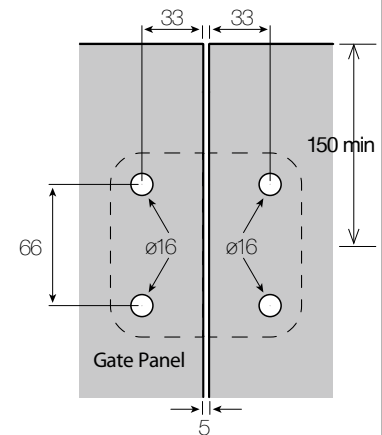
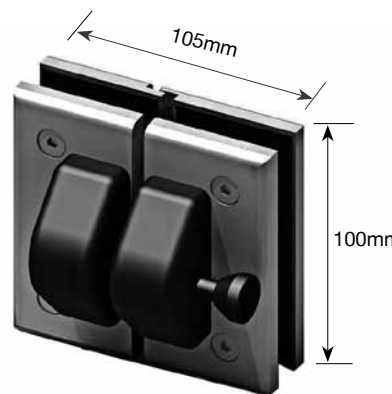
EHL2 Gate latch and keeper

AVAILABLE FINISHES

- Natural anodised, marine grade 25micron

TECHNICAL DETAILS

Designed for a frameless glass pool gate and side panel
Single action, self-latching magnetic operation
Manufactured in aluminium
Standard for 12mm glass, can be supplied for 10mm or 15mm glass on request



Glass Preparation

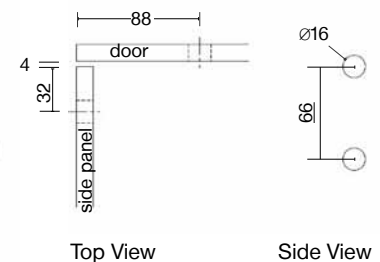
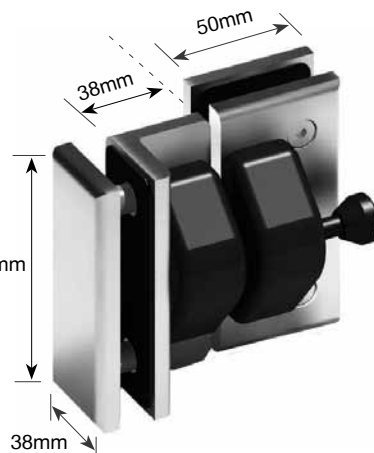
EHL290 Gate latch and keeper

AVAILABLE FINISHES

- Natural anodised, marine grade 25micron

TECHNICAL DETAILS

Designed for a frameless glass pool gate that closes to a side panel at 90°
Single action, self-latching magnetic operation
Manufactured in aluminium
Standard for 12mm glass, can be supplied for 10mm or 15mm glass on request



Glass Preparation

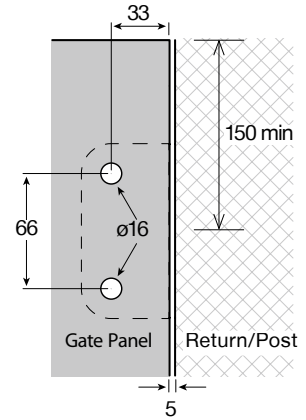
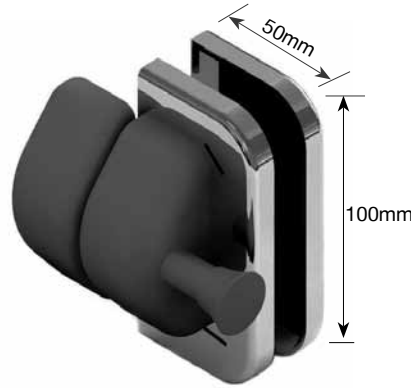
PL1 Gate latch and strike

AVAILABLE FINISHES

- Polished stainless steel
- Satin stainless steel

TECHNICAL DETAILS

Designed for a frameless glass pool gate that closes to a post or wall
 Self latching using "Magna" latch
 Manufactured in 316 grade stainless steel
 Minimum door height - 1200mm
 Standard for 10mm and 12mm glass, can be adapted for other sizes



Glass Preparation

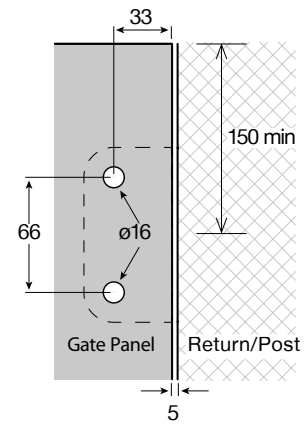
PL1RP Round Post Gate latch and strike

AVAILABLE FINISHES

- Polished stainless steel
- Satin stainless steel

TECHNICAL DETAILS

Designed for a frameless glass pool gate 50mm dia. post mount
 Self latching using "Magna" latch
 Manufactured in 316 grade stainless steel
 Minimum door height - 1200mm
 Standard for 10mm and 12mm glass, can be adapted for other sizes



Glass Preparation

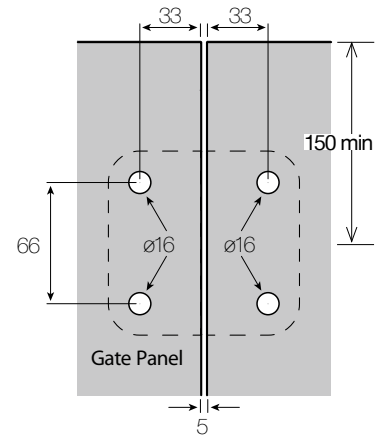
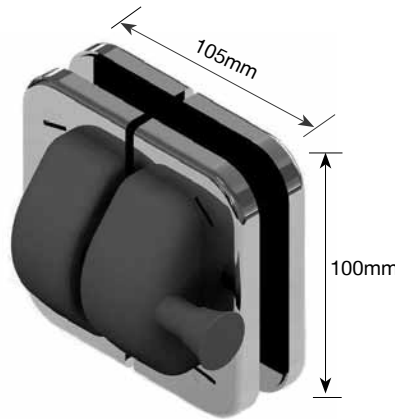
PL2 Gate latch and keeper

AVAILABLE FINISHES

- Polished stainless steel
- Satin stainless steel

TECHNICAL DETAILS

Designed for a frameless glass pool gate and side panel
 Self latching using "Magna" latch
 Manufactured in 316 grade stainless steel
 Minimum door height - 1200mm
 Standard for 10mm and 12mm glass, can be adapted for other sizes



Glass Preparation

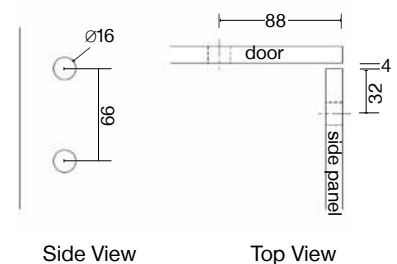
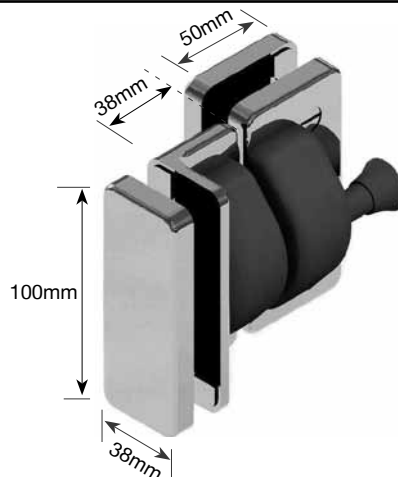
PL290 Gate latch and keeper

AVAILABLE FINISHES

- Polished stainless steel
- Satin stainless steel

TECHNICAL DETAILS

Designed for a frameless glass pool gate that closes to a side panel at 90°
 Self latching using "Magna" latch
 Manufactured in 316 grade stainless steel
 Minimum door height - 1200mm
 Standard for 10mm and 12mm glass, can be adapted for other sizes



Side View

Top View

Glass Preparation

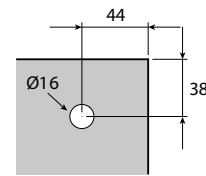
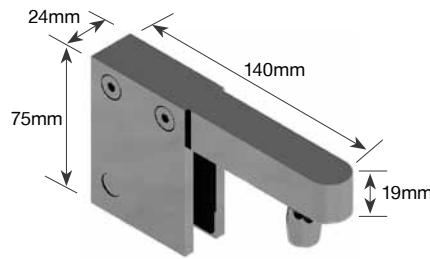
FPF6 Top pivot arm

AVAILABLE FINISHES

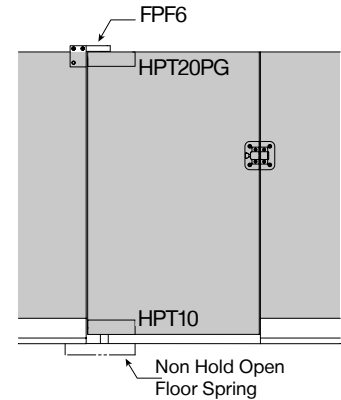
- Polished stainless steel
- Satin stainless steel

TECHNICAL DETAILS

Designed for mounting a glass gate to a glass balustrade
Used in conjunction with Euroglass standard patch fittings & floor springs
Manufactured in 316 stainless steel



Glass Preparation



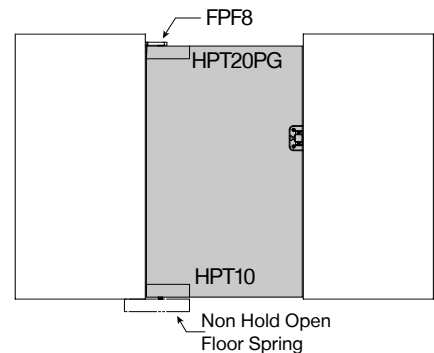
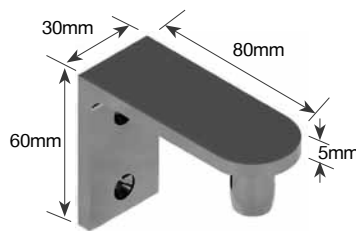
FPF8 Top pivot arm

AVAILABLE FINISHES

- Polished stainless steel
- Satin stainless steel

TECHNICAL DETAILS

Designed for mounting a glass gate to a solid wall
Used in conjunction with Euroglass standard patch fittings & floorsprings
Manufactured in 316 stainless steel



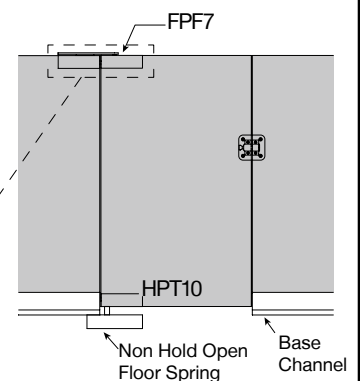
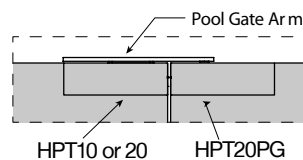
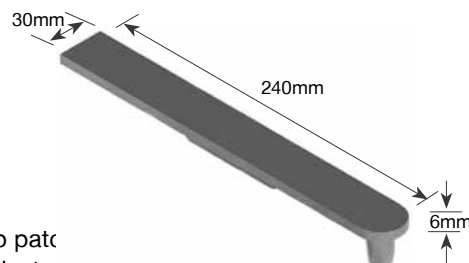
FPF7 Top pivot bracket

AVAILABLE FINISHES

- Polished stainless steel
- Satin stainless steel

TECHNICAL DETAILS

Designed for mounting a glass gate to a glass balustrade
Used in conjunction with HPT20/HPT10 top patch fittings that allow them to work as a top pivot set.
Manufactured in 316 stainless steel



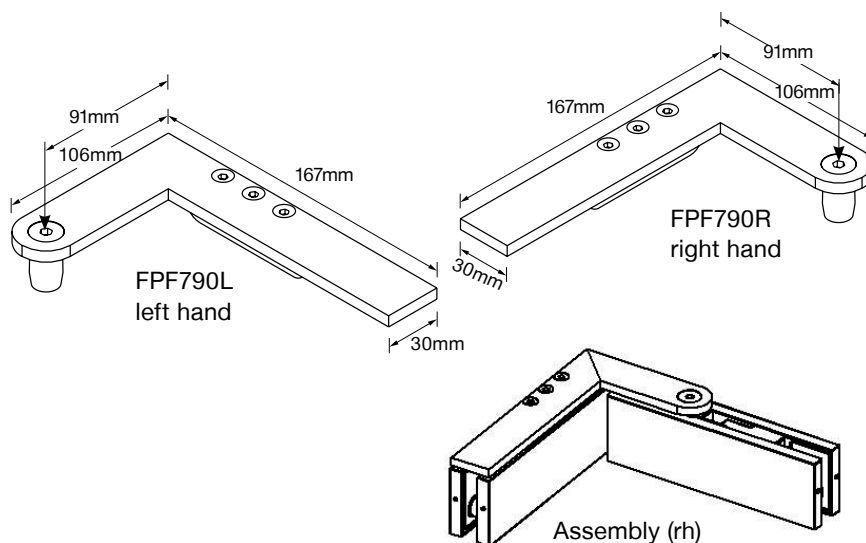
FPF790 Europool top pivot arm 90°

AVAILABLE FINISHES

- Polished stainless steel
- Satin stainless steel

TECHNICAL DETAILS

Designed for mounting a glass gate to a glass balustrade
Used in conjunction with HPT20/HPT10 top patch fittings that allows them to work as a top pivot set
Frameless glass mounting
Manufactured in 316 stainless steel



HPT20PG Top fitting to suit pool gate pivots

AVAILABLE FINISHES

- Polished stainless steel
- Satin stainless steel

TECHNICAL DETAILS

Top patch fitting suitable for Euroglass pool gate fittings: FPF5/FPF6/FPF7 and FPF790/FPF8
Adjustable pivot insert
Features concealing cover plates

